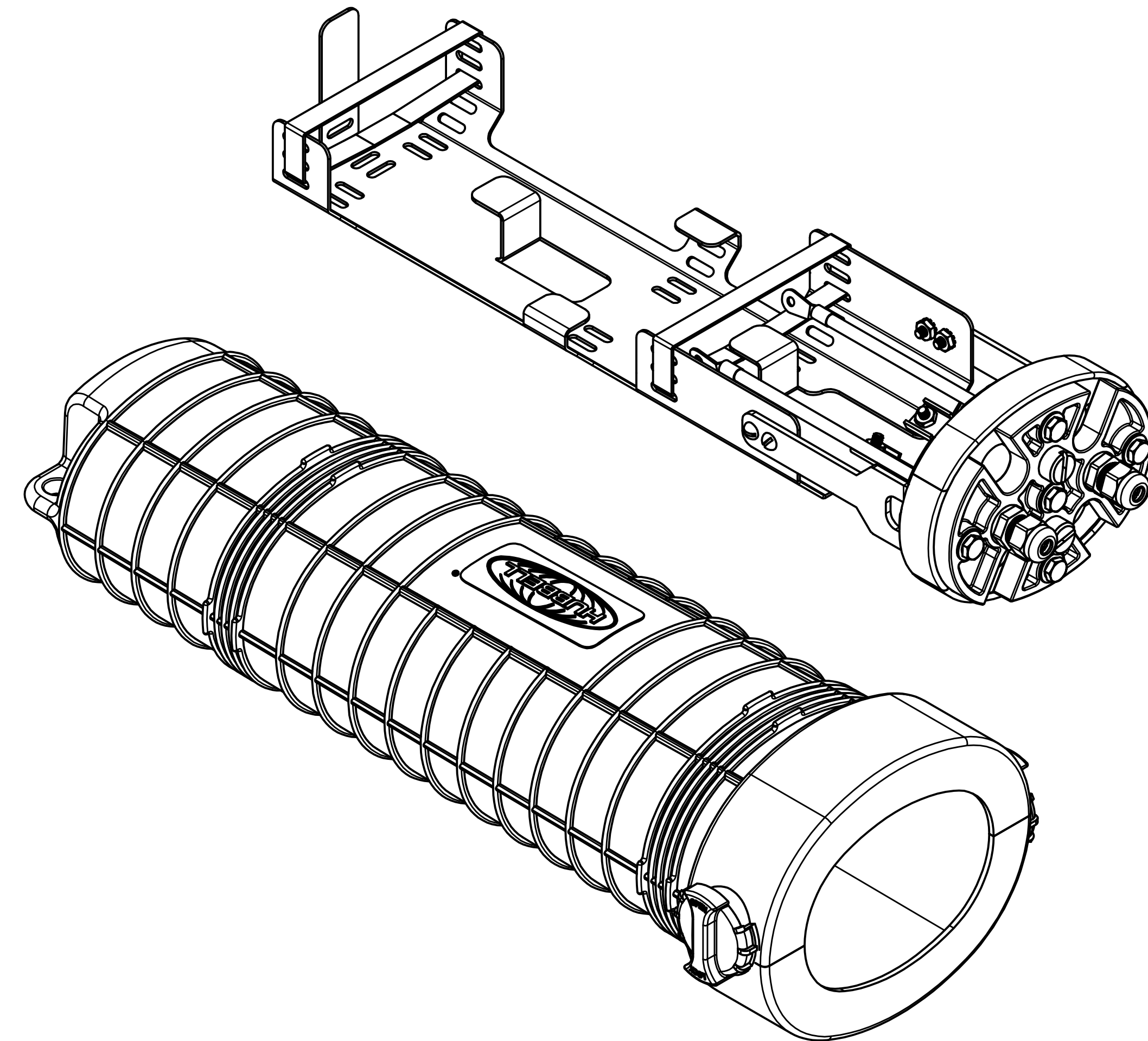
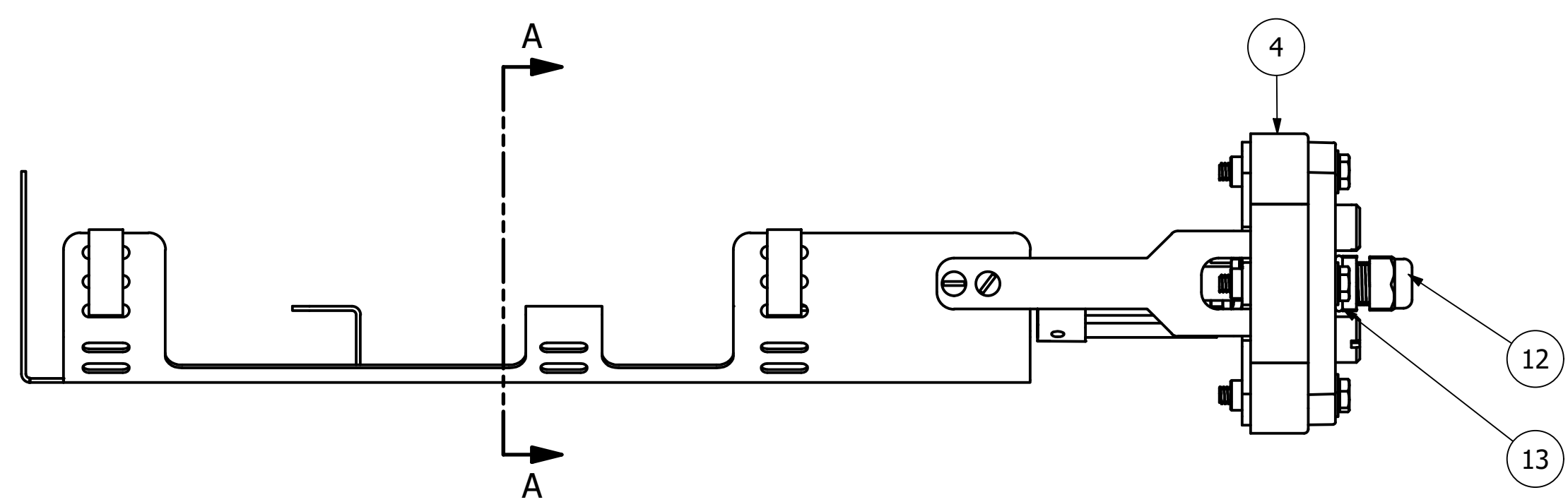
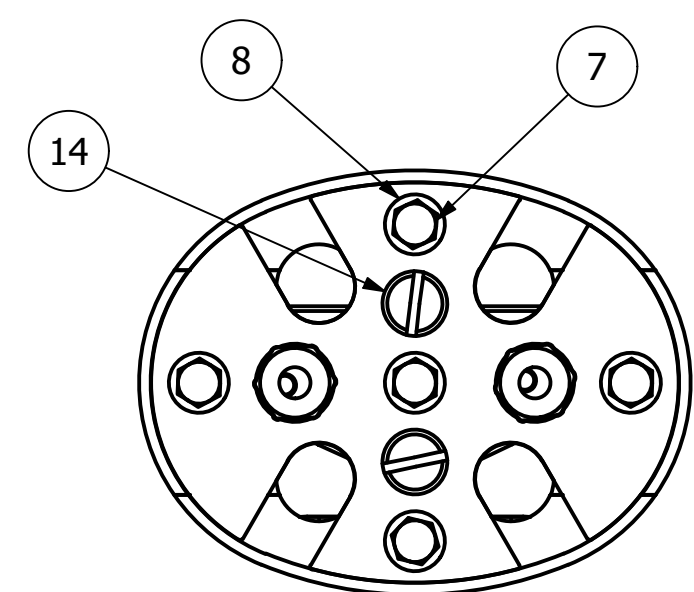
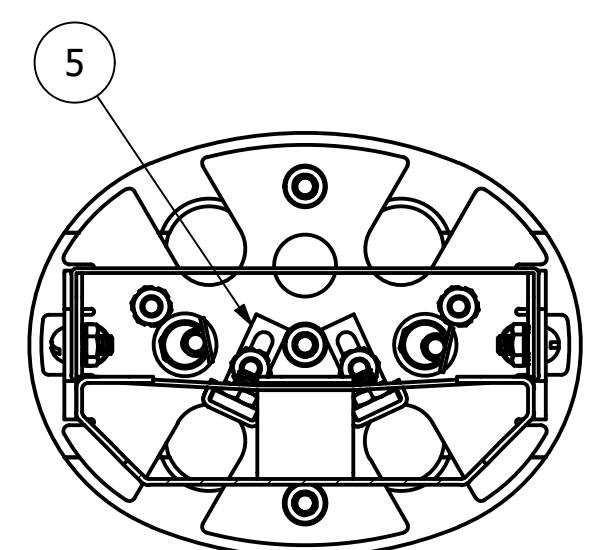
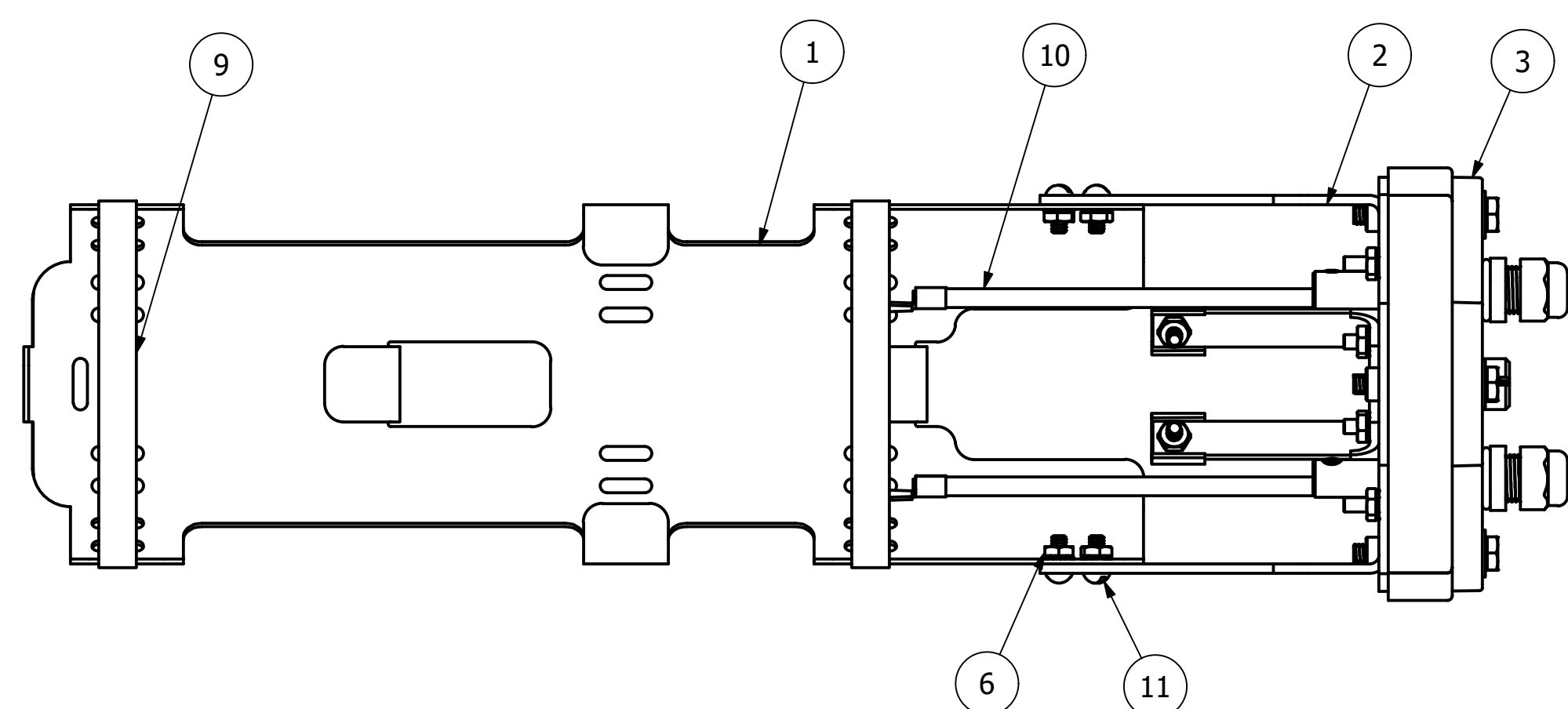
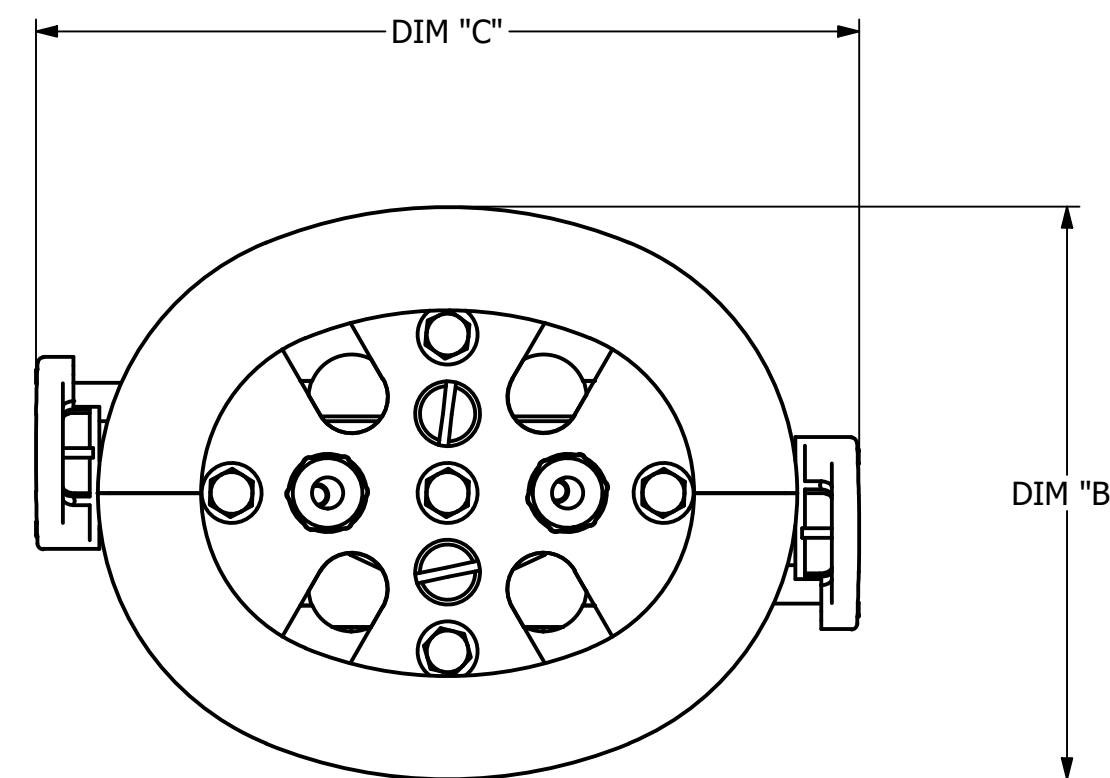
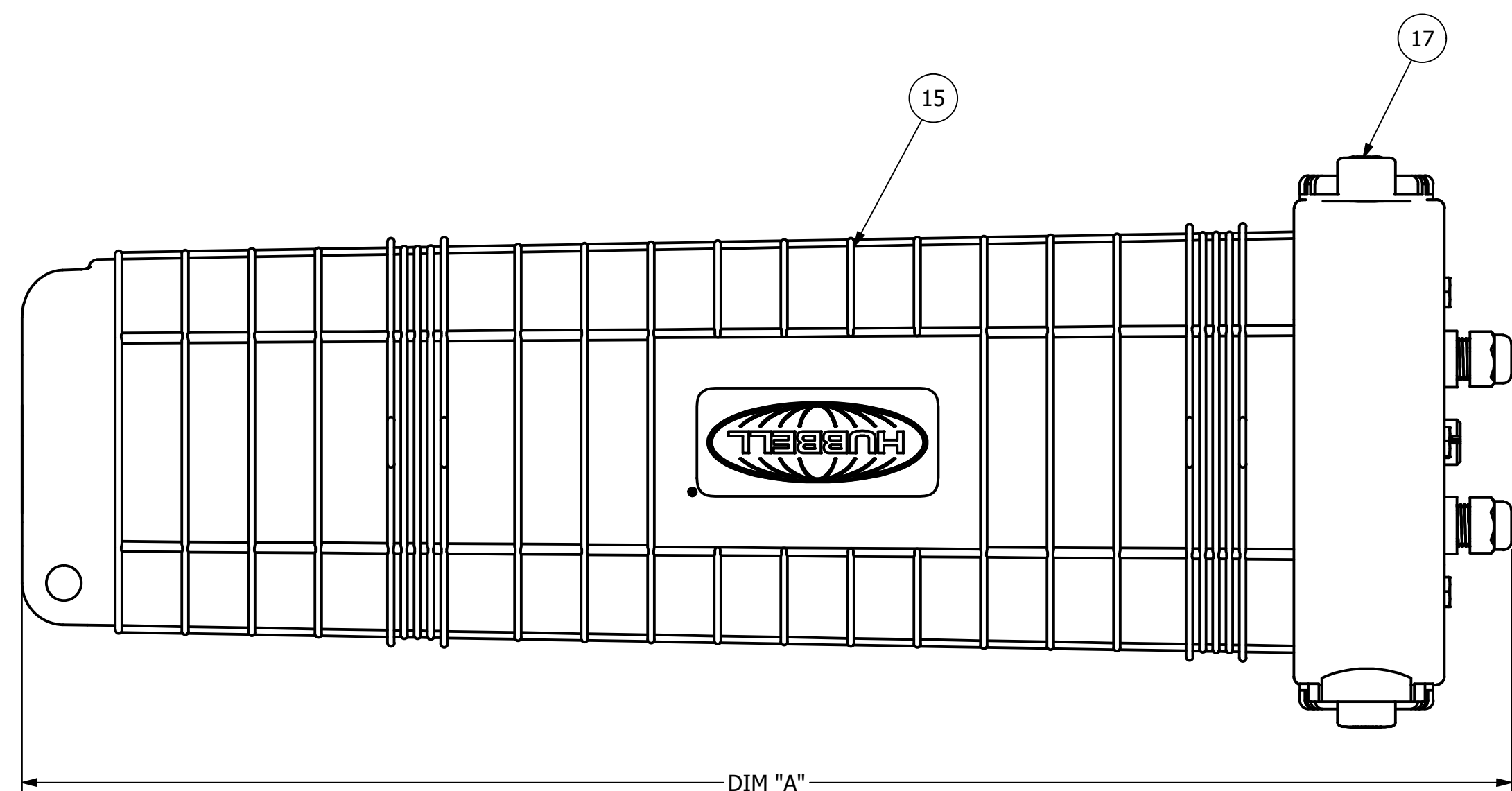


CATALOG NO.	DESCRIPTION	DIM "A" IN. [MM]	DIM "B" IN. [MM]	DIM "C" IN. [MM]	WEIGHT LBS. [KG]	STANDARD PACK	GOODIE BAG
PSCI350S	ISOLATED GROUND 350 CLOSURE	22.377 [568.38]	5.963 [151.46]	8.575 [217.81]	5.663 [2.57]	1	1

CABLE TYPE	CABLE PORT CAPACITIES (DIA.)			
	BACKBONE		LATERAL	
	MIN.	MAX.	MIN.	MAX.
ARMORED	.250	.625	.250	.625

PARTS LIST		
ITEM	DESCRIPTION	QTY
1	350 STORAGE PLATFORM	1
2	350 INSIDE PLATE ASSEMBLY	1
3	PLATE, 350 OUTSIDE PVC	1
4	350 ELASTOMER	1
5	STAND OFF - 6" AND 570	2
6	K-LOCK NUT, #10-24, ZINC PLATED	8
7	BOLT, HEX HEAD	5
8	1/4 FW, 316 STAINLESS STEEL	5
9	14IN VELCRO, CUT FROM PS94905K33	2
10	GROUND ROD ASSEMBLY	2
11	#10-24 X 1/2 SLOTTED PAN HEAD	4
12	.375 NPT STRAIN RELIEF	2
13	#114 5/8" ID X 13/16" OD 0.103 O RING	2
14	THREADED PLUG, 3/8 NPT	2
15	350 HOUSING ASSEMBLY	1
16	GROMMETS, 350 CLOSURE, 8 PCS PER BAG (NOT SHOWN)	2
17	350 COLLAR ASSEMBLY	2
18	350 IG INSTRUCTION SHEET (NOT SHOWN)	1
19	350 GOODIE BAG (NOT SHOWN)	1

GOODIE BAG		
ITEM	DESCRIPTION	QTY
1	RTV SILICONE ADHESIVE & SEALANT, ORIGINAL PACKAGE	1
2	ROLL OF 7 PCS OF PSP158792	1
3	1" HOSE CLAMP	2



- NOTES:
- ALL DIMENSIONS FOR REFERENCE ONLY. DISTANCE IN. [MM], FORCE LBS. [kN], TORQUE IN. LBS. [N.m], & WEIGHT LBS. [KG]
 - RATINGS:
A. NA
 - CERTIFICATIONS, SPECIFICATIONS, & STANDARDS:
A. NA
 - SUFFIXES & VARIANT CONFIGURATION:
A. NA

210326006476	03/26/21	SAV	JJ	SD
EC #	DATE	CHANGED BY	CHECKED BY	APPROVED BY
DESCRIPTION:				WEIGHT, LBS
INITIAL RELEASE				SEE TABLE
ADDITIONAL COMMENTS: -				

THIRD ANGLE PROJECTION

CONFIDENTIAL: THIS DRAWING AND ITS CONTENTS ARE CONFIDENTIAL AND THE EXCLUSIVE PROPERTY OF HUBBELL POWER SYSTEMS. NO PUBLICATION, DISTRIBUTION OR COPIES MAY BE MADE WITHOUT THE WRITTEN CONSENT OF HUBBELL POWER SYSTEMS. HUBBELL POWER SYSTEMS UNPUBLISHED ALL RIGHTS RESERVED UNDER THE COPYRIGHT LAWS

HUBBELL POWER SYSTEMS, Inc.

TITLE: ISOLATED GROUND 350 CLOSURE

CATALOG NUMBER: SEE TABLE

SIZE: D DWG NO. CC-27211 PART / ASSY NO. PSCI350S REV 00

SCALE: 1 : 2 DRN BY: SAV DATE: 02/03/21 SHEET 1 OF 1